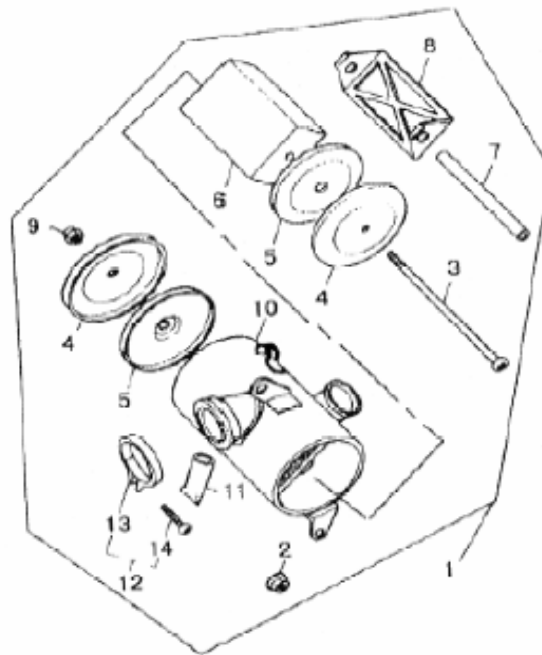


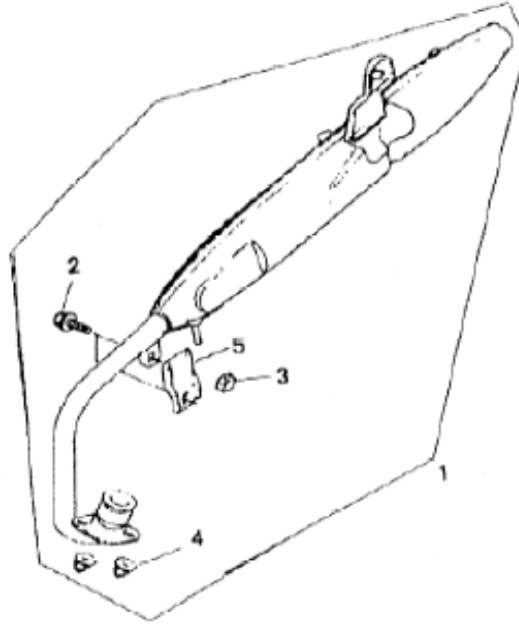
## DAX 50/110 VEHICLE PARTS

ITEM	PART NO.	DESCRIPTION(EN)	QTY.
<b>FIG.1 AIR CLEANER</b>			
1	13700-14G00	AIR CLEANER ASSY(ST110-6)	1
1-1	13700-14A00	AIR CLEANER ASSY(ST50-6)	1
2	GB5787-86 M6×12-Zn.DB	BOLT	1
3	13711-14A00	BOLT	1
4	13712-14A00	CAP	2
5	13713-14A00	RING	2
6	13714-14A00	FILTER AIR CLEANER	1
7	13715-14A00	SPACER	1
8	13716-14A00	FRAME FILTER	1
9	13719-14A00	NUT	1
10	13717-14A00	CASE	1
11	13718-14A00	PLUG	1
12	13720-14A00	CLIP ASSY	1
13	13721-14A00	CLIP	1
14	13722-14A00	SCREW	1



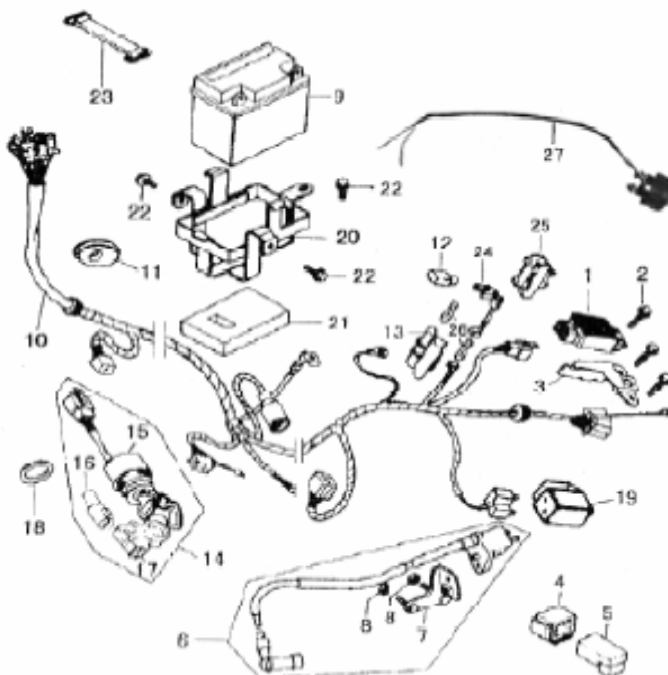
**FIG.2 MUFFLER ASSY**

1	14300-14G00	MUFFLER ASSY(ST110-6)	1
1-1	14300-14A00	MUFFLER ASSY(ST50-6)	1
2	GB5787-86 M8×20-Zn.DH	BOLT	1
3	08319-31083	NUT	1
4	GB170-86 M6-Zn.DB	NUT	2
5	14781-14A00	JOINT PLATE	1



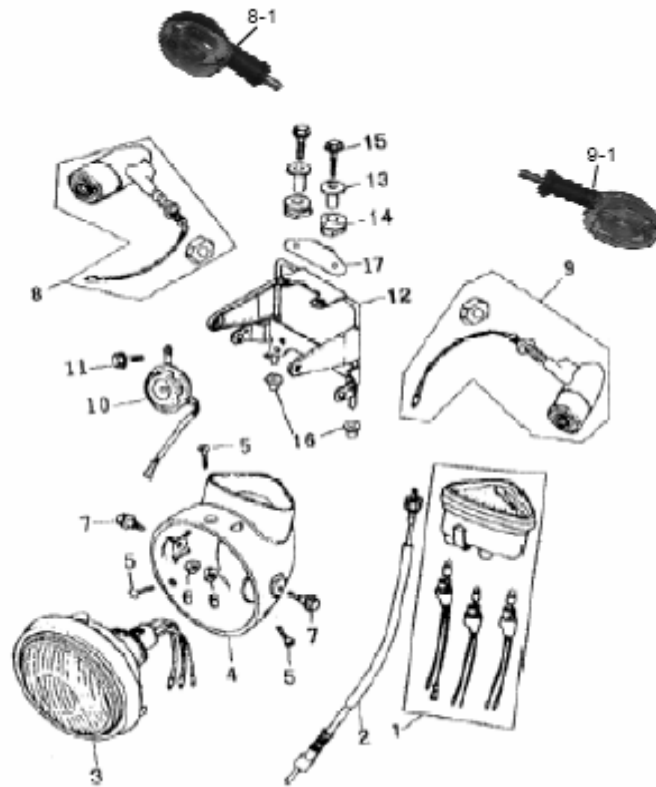
**FIG.3 ELECTRICAL**

1	32810-15A00	RECTIFIER ASSY	1
2	GB5787-86 M6×10-Zn.DB	BOLT	1
3	32820-14A00	BRACKET RECTIFIER	1
4	32910-14A00	HOLDER CDI UNIT	1
5	32900-14A00	CDI UNIT	1
6	33400-14A00	IGNITION COIL ASSY	1
7	33510-14A00	IGNITION COIL HOLDER	1
8	GB6170-86 M6-Zn.DB	NUT	1
9	33610-15A00	BATTERY	1
10	36610-14A00	WIRE HARNESS ASSY	1
11	36621-15A00	CLAMP	1
12	36622-14A00	RUBBER	1
13	37311-14A00	FUSE BOX	1
14	37100-14A00	LOCK ASSY	1
15	46700-14A00	MAIN SWITCH	1
16	37110-14A00	LOCK STEERING	1
17	45600-14A00	SEAT LOCK	1
18	GB96-85 4-140HV-Zn.DB	WASHER	1
19	38610-15A00	RELAY TURN SIGNAL	1
20	41510-14A00	HOLDER BATTERY	1
21	<b>41521-14A00</b>	<b>CUSHION</b>	<b>1</b>
22	GB5787-86 M6×12-Zn.DB	BOLT	3
23	41522-14A00	BAND BATTERY	1
24	<b>37314-14A00</b>	<b>CABLE FUSE</b>	<b>1</b>
25	<b>37313-14A00</b>	<b>FUSE SEAT</b>	<b>1</b>
26	<b>37312-15A00</b>	<b>FUSE</b>	<b>2</b>
27	31800-15A00	RELAY ASSY,ELEC.START MODEL	1



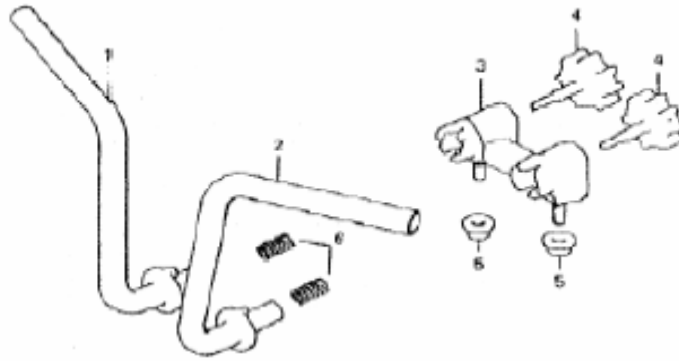
**FIG.4 SPEEDOMETER**

1	34100-14A00	SPEEDOMETER(ST110-6)	1
1-1	34100-14A10	SPEEDOMETER(ST50-6)	1
2	34900-14A00	CABLE SPEEDOMETER	1
3	35100-14A00	HEAD LAMP ASSY	1
4	35121-14A00	HOUSING HEAD ASSY	1
5	GB820-85 M5×8- Cr	SCREW	3
6	GB6170-86 M8Zn.DB	NUT	2
7	GB5787-86 M8×20Cr	BOLT	2
8	35610-15A00	LAMP ASSY TURN SIGNAL RH	2
8-1	35610-15A10	LAMP ASSY TURN SIGNAL RH	2
9	35620-15A00	LAMP ASSY TURN SIGNAL LH	2
9-1	35620-15A10	LAMP ASSY TURN SIGNAL LH	2
10	38500-14A00	HORN ASSY	1
11	GB5787-86 M6×12-Zn.DH	BOLT	1
12	46710-14A00	BRACKET COMP HEAD LAMP	1
13	44415-15A00	SPACER	2
14	46421-15A00	RUBBER	2
15	GB9074-14-88 M6×25-Zn.D	BOLT ASSY	2
16	46705-14A00	RUBBER	2
17	51511-14A00	EMBLEM	1



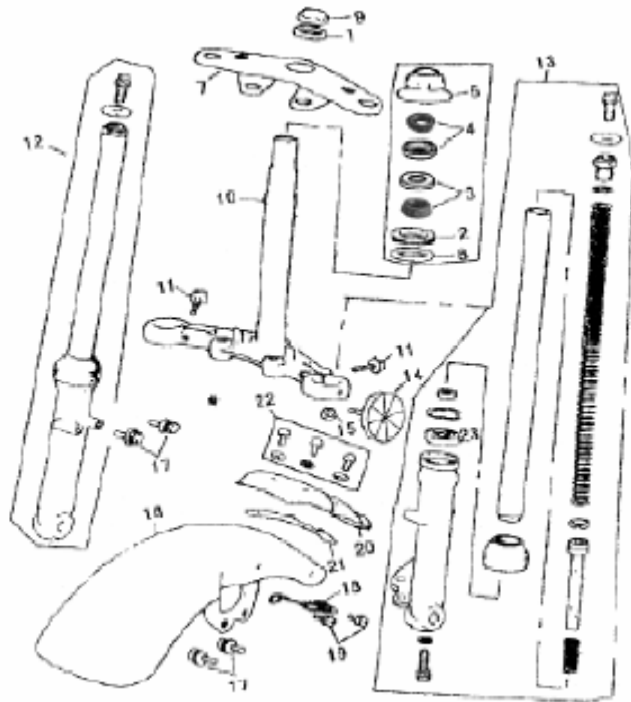
**FIG.5 GRIP**

1	56120-15A00	HANDLE BAR RH	1
2	56110-15A00	HANDLE BAR LH	1
3	56140-15A00	HANDLE BAR SEAT ASSY	1
4	56130-15A00	HANDLE BAR LEVER LOCK	2
5	08319-15A00	NUT	2
6	56141-15A00	SPRING	2



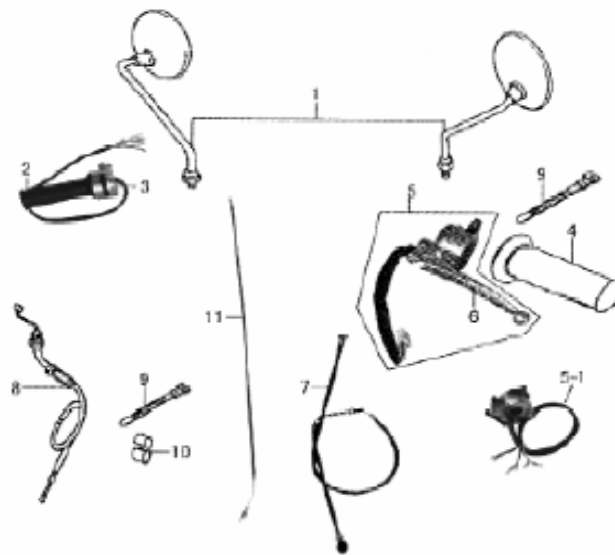
**FIG.6 FRONT FORK**

1	51612-15A00	WASHER	1
2	51613-15A00	SEAL	1
3	09265-15A10	LOWER BEARING	1
4	09265-15A00	UPPER BEARING	1
5	51643-15A00	DUST SEAL	1
6	51631-15A00	STEERING NUT	1
7	51310-15A00	STEERING HEAD	1
8	51632-14A00	GASKET	1
9	51633-15A00	STEERING NUT	1
10	51410-14A00	STEERING STEM	1
11	GB5787-86 M8×28-Zn.DH	BOLT	2
12	52100-14A00	SHOCK ABSORBER FRONT RH	1
13	52200-14A00	SHOCK ABSORBER FRONT LH	1
14	35950-15A00	REFLECTOR	2
15	08319-31068	NUT	2
16	53110-14A00	FRONT FENDER	1
17	GB5787-86 M6×12-Zn.DB	BOLT	4
18	53131-14A00	CABLE CLIP	1
19	GB9074.1-88 M5×10-Cr	SCREW ASSY	3
20	53121-14A00	REAR PART FRONT FENDER	1
21	53122-14A00	DAMPER	1
22	GB9074.1-88 M6×10-Zn.DB	SCREW ASSY	3
23	52223-14A00	OIL SEAL	2



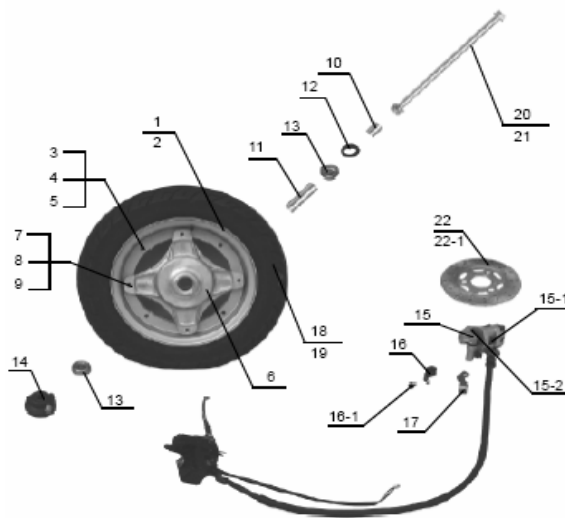
**FIG.7 HANDLE SWITCH**

1	56500-56600-15A00	REARVIEW MIRROR	1
2	57110-15A00	GRIP THROTTLE	1
3	57100-15A00	RIGHT HANDLE SWITCH ASSY	1
4	57211-15A00	GRIP LH	1
5	57200-15A00	LEFT HANDLE SWITCH ASSY □ MANUAL CLUTCH □	1
5-1	57200-15A10	LEFT HANDLE SWITCH ASSY □ SENI-AUTOMATIC CLUTCH □	1
6	57201-15A00	HAND GRIP CLUTCH □ MANUAL CLUTCH □	1
7	58200-15A00	CLUTCH THROTTLE ASSY □ MANUAL CLUTCH □	1
8	58300-15A00	CABLE THROTTLE	1
9	09407-12402	BAND	4
10	09408-00001	CLIP	1
11	58410-15A00	CABLE CHOKE	1



**FIG.8 FORNT WHEEL**

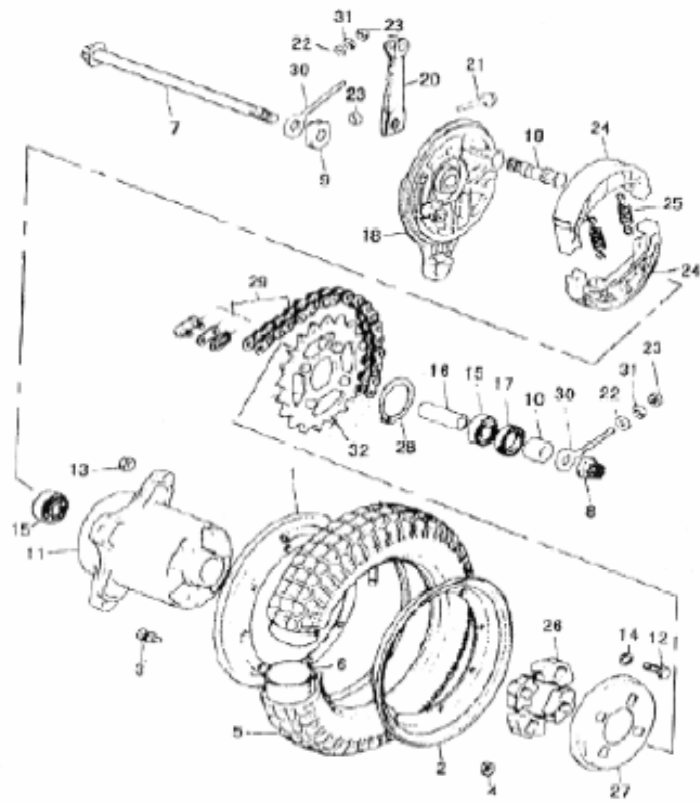
1	55301-14A00	RIM RH	1
2	55302-14A00	RIM LH	1
3	GB5783-86 M6×12-Zn.DB	BOLT	4
4	GB97.1-85 6-140HV-Zn.DB	WASHER	4
5	GB6187-86 M6-Zn.DB	NUT	4
6	54111-14A00	DRUM FRONT HUB	1
7	GB5783-86 M8×25-Zn.DB	BOLT	4
8	GB859-87 8-Zn.DB	SPRING WASHER	4
9	09160-14A00	NUT	4
10	54121-14A00	FRONT WHEEL □□ BUSH	1
11	54123-14A00	BUSHING	1
12	09284-14A00	OIL SEAL	1
13	60301 GB278-82	BEARING	2
14	54600-14A00	GEAR BOX ASSY,SPEEDOMETER	1
15	59000-14A00	FRONT BRAKE ASSY	1
15-1	59312-14A00	BRAKE PAD	2
15-2	GB5787-86 M8×32-Zn.DJ	BOLT	2
16	59489-14A00	CLIP	1
16-1	GB5787-86 M6×12-Zn.DJ	BOLT	1
17	59242-14A00	CLIP	1
18	55100-14A00	TIRE	1
19	55200-14A00	TUBE INNER	1
20	54711-14A00	AXLE FRONT WHEEL	1
21	GB6187-86 M12×1.25-Zn.DB	SELF-LOCKING NUT	1
22	59412-14A00	BRAKE DISC	1
22-1	58412-14A00	BOLT	3





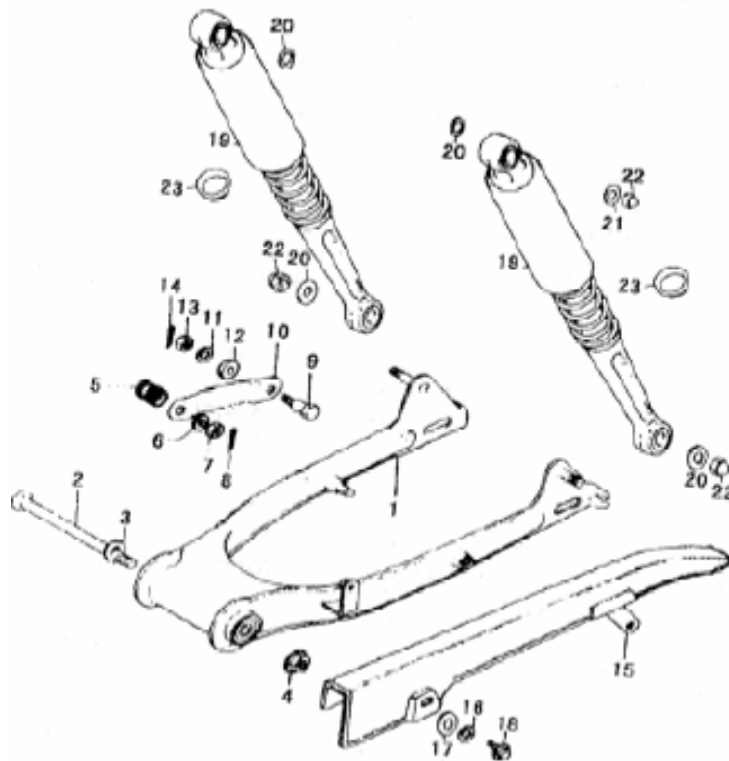
**FIG.9 REAR WHEEL**

1	55301-14A00	RIM RH	1
2	55302-14A00	RIM LH	1
3	GB5783-86 M6×12-Zn.DB	BOLT	4
4	08319-31068	NUT	4
5	55100-14A00	TIRE	1
6	55200-14A00	TUBE INNER	1
7	64711-14A00	AXLE REAR	1
8	08319-31128	NUT	1
9	64741-14A00	PUSH RING	1
10	64751-14A00	PUSH RING	1
11	64100-14A00	DRUM REAR HUB	1
12	GB5783-86 M8×25-Zn.DB	BOLT	1
13	09160-14A00	NUT	4
14	GB859-87 8-Y	LOCK WASHER	4
15	60301 GB278-82	BEARING	2
16	64211-14A00	BUSHING	1
17	09285-14A00	OIL SEAL	1
18	64210-14A00	PANEL REAR HUB	1
19	64441-14A00	CAM BRAKE	1
20	64451-14A00	LEVEL BRAKE CAM	1
21	GB5783-86 M6×38-Zn.DB	BOLT	1
22	GB97.1-85 6-140HV-Zn.DB	WASHER	2
23	GB6170-86 M6-8-Zn.DB	NUT	1
24	54410-14A00	SHOE BRAKE	2
25	09443-14A00	SPRING	2
26	64651-14A00	CUSHION	4
27	64652-14A00	DUST SEAL	1
28	GB894.1-86 50-Y	THRUST WASHER	1
29	08MA-86 GB/T14212-93	CHAIN 86 JOINTS □ST110-6 □	1
29-1	08MA-90 GB/T14212-93	CHAIN 90 JOINTS □ST50-6 □	1
30	61411-14A00	ADJUSTER CHAIN	1
31	GB859-876-Y	SPRING WASHER	2
32	64511-14G00	SPROCKET RERA □ST110-6 □Z=42 □	1
32-1	64511-14A00	SPROCKET RERA □ST50-6 □Z=36 □	1



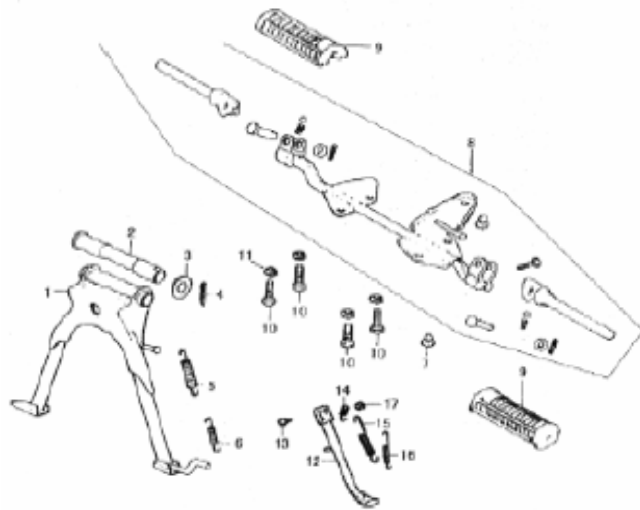
**FIG.10 SWINGING ARM**

1	61100-14A00	SWING ARM COMP	1
2	61211-14A00	SHAFT PIVOT	1
3	GB977.1-85 10-140HV-Zn.DB	WASHER	1
4	08319-31108	NUT	3
5	64312-14A00	SPRING	1
6	GB97.1-85 8-140HV-Zn.DB	WASHER	1
7	GB6170-86 M8-8-Zn.DB	NUT	1
8	GB91-86 2×16-Zn.DB	COTTER PIN	1
9	09111-14A00	BOLT	1
10	64311-14A00	LINKING PLATE	1
11	GB93-87 10-Y	SPRING WASHER	1
12	GB97.1-85 8-140HV-Zn.DB	WASHER	1
13	GB6170-86 M8-8-Zn.DB	NUT	1
14	GB91-86 2×16-Zn.DB	COTTER PIN	1
15	61310-14A00	CHAIN CASE	1
16	61321-14A00	DAMPER	1
17	GB96-85 6-140H-Zn.DB	WASHER	1
18	GB5783-86 M6×18-Zn.DB	BOLT	1
19	62100-14A00	SHOCK ABSORBER ASSY,REAR	2
20	GB97.1-85 12-Zn.DB	WASHER	4
21	GB96-85 10-140HV-Zn.DB	WASHER	1
22	GB923-86 M10×1.25-Cr	NUT	4
23	62117-14A00	OIL SEAL	2



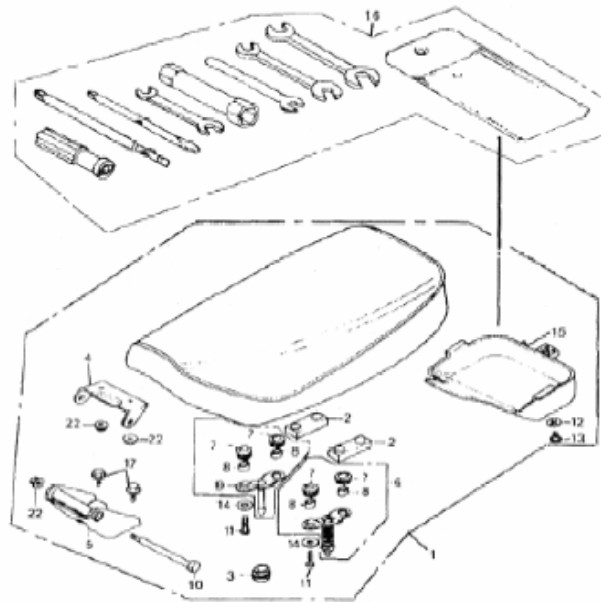
**FIG.11 STAND**

1	42100-14A00	STAND CENTER	1
2	42211-14A00	SHAFT CENTER STAND	1
3	42212-14A00	WASHER	2
4	GB91-86 3.2×25-Zn.DB	COTTER PIN	1
5	42231-14A00	SPRING CENTER STAND	1
6	42232-14A00	INNER SPRING	1
7	42222-14A00	CUSHION STAND CENTER	1
8	43510-14A00	FOOTREST HOLDER ASSY	1
9	43551-15A00	RUBBER FOOTREST	2
10	GB5783-86 M8×20-Zn.DB	BOLT	4
11	GB859-87 8-Zn.DB	SPRING WASHER	4
12	42310-15A00	STAND PROP	1
13	T011-10002	BOLT	1
14	42321-15A00	HOOK	1
15	42322-15A00	SPRING	1
16	42323-15A00	SPRING	1
17	GB889-86 M10×1.25-Zn.DJ	NUT	1



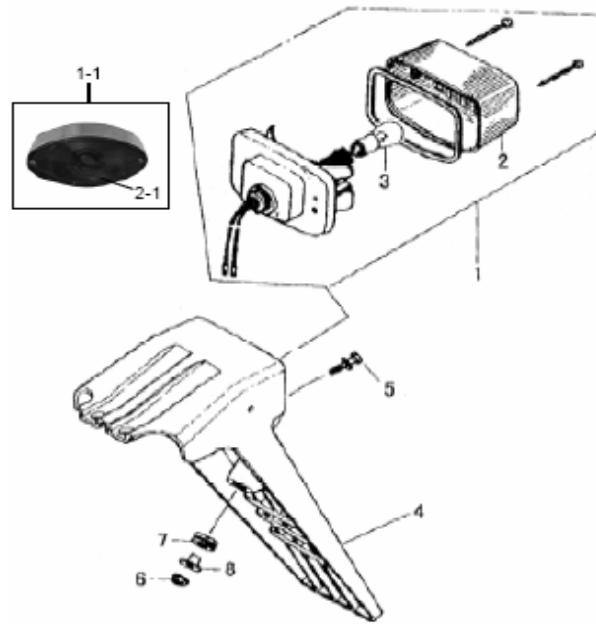
**FIG.12 SEAT**

1	45100-14A00	SEAT ASSY	1
2	45154-14A00	CUSHION	2
3	37611-14A00	RING RUBBER	1
4	45121-14A00	UPPER HINGE SEAT	1
5	45122-14A00	LOWER HINGER SEAT	1
6	45140-14A00	SPRING HOOK ASSY SEAT	1
7	45132-14A00	RUBBER PAD	2
8	45133-14A00	SPACER	2
9	45131-14A00	HOOK SEAT	1
10	45123-14A00	BOLT	1
11	GB5782-86 M6×20-Zn.D	BOLT	4
12	47413-14A00	CLAMP	1
13	GB818-85 M6×20-Zn.DH	SCREW	1
14	GB96-85 6-140HV-Zn.D	WASHER	4
15	47411-14A00	HOLDER TOOL	1
16	09800-15A00	TOOL SET	1
17	GB5787-86 M8×14-Zn.DC	BOLT	2



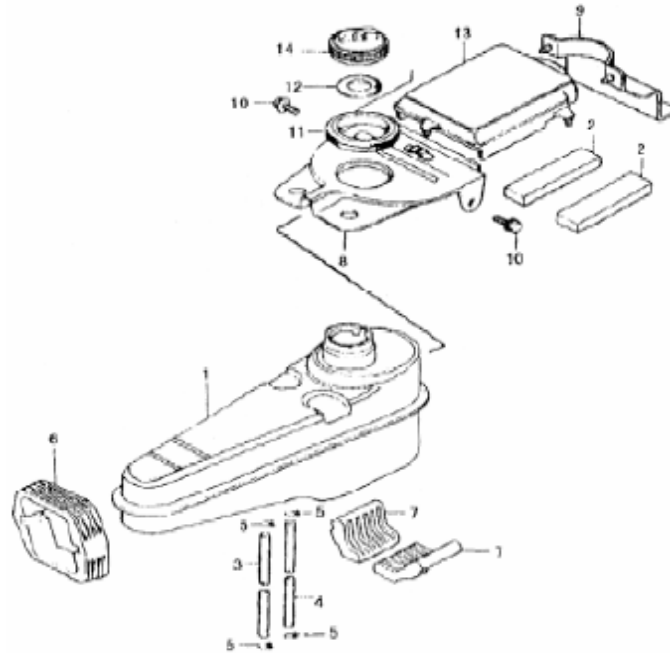
**FIG.13 LAMP**

1	35710-15A00	TAIL LAMP	1
1-1	35710-15A10	TAIL LAMP	1
<b>2</b>	<b>35712-15A00</b>	<b>LENS</b>	<b>1</b>
<b>2-1</b>	<b>35712-15A10</b>	<b>LENS</b>	<b>1</b>
<b>3</b>	<b>G8120-GD125</b>	<b>BULB</b>	<b>1</b>
4	63112-14A00	FENDER REAR	1
5	GB5783-86 M6×25-Zn.DB	BOLT	1
6	GB6177-86 M6-Zn.DB	NUT	1
7	63122-14A00	RING RUBBER	1
8	63121-14A00	SPACER	1



**FIG.14 FUEL TANK**

1	44110-14A00	FUEL TANK ASSY	1
<b>2</b>	<b>41521-14A00</b>	<b>CUSHION</b>	<b>1</b>
3	09341-14A00	HOSE 1	1
4	09352-14A00	HOSE 2	1
5	09401-14A00	CLIP	4
6	44131-14A00	RUBBER PAD	1
7	44132-14A00	RUBBER PAD	2
8	44120-14A00	FULE TANK COVER	1
9	36622-14A00	RUBBER	1
10	GB5787-86 M6×12-Zn.DB	BOLT	1
11	44133-14A00	RUBBER RING	1
<b>12</b>	<b>44221-14A00</b>	<b>SEAL RING</b>	<b>1</b>
<b>13</b>	<b>41530-14A00</b>	<b>PROTECTOR</b>	<b>1</b>
<b>14</b>	<b>44222-14A00</b>	<b>CAP FUEL TANK</b>	<b>1</b>



**FIG. 15 FRAME-EMBLEM**

1	45600-14A00	SEAT LOCK	1
2	37740-15A00	BRAKE SWITCH	1
3	37741-14A00	BRAKE SWITCH SPRING	1
4	43211-14A00	BRAKE RETURN SPRING	1
5	43310-14A00	ROD BRAKE ASSY	1
<b>6</b>	<b>43311-14A00</b>	<b>ROD BRAKE</b>	<b>1</b>
<b>7</b>	<b>43511-14A00</b>	<b>PIN</b>	<b>1</b>
<b>8</b>	<b>68712-14A00</b>	<b>ANTI-TEMPERING PLATE</b>	<b>1</b>
9	09440-14A00	SPRING	1
10	GB91-86 2×16-Zn.DB	COTTER PIN	1
<b>11</b>	<b>09209-14A00</b>	<b>PIN</b>	<b>1</b>
12	09111-14A00	BOLT	1
13	41100-14A00	FRAME COMP	1
14	68621-14A00	EMBLEM □ST110-6 □	2
14-1	68621-14A10	EMBLEM □ST50-6 □	2
15	08319-31088	NUT	2
16	68311-14A00	WARNING EMBLEM	1
17	41211-14A00	DECORATIION SET	1
18	36621-14A00	CLAMP	1
19	43110-14A00	PEDAL BRAKE	1
20	43212-14A00	WASHER	1
21	GB-86 3.2×25-Zn.DB	COTTER PIN	1
22	GB819-85 M6×20-Zn.DB	SCREW	2
23	GB5787-86 M6×10-Zn.DB	BOLT	1
24	GB91-86 2×16-Zn.DB	COTTER PIN	1
<b>25</b>	<b>42141-14A00</b>	<b>PLATE SWITCH SPRING</b>	<b>1</b>
<b>26</b>	<b>68111-14A00</b>	<b>VIN PLATE</b>	<b>1</b>
<b>27</b>	<b>GB827-86 2×5-L4</b>	<b>RIVET</b>	<b>1</b>
28	09112-14A00	BOLT	1

